

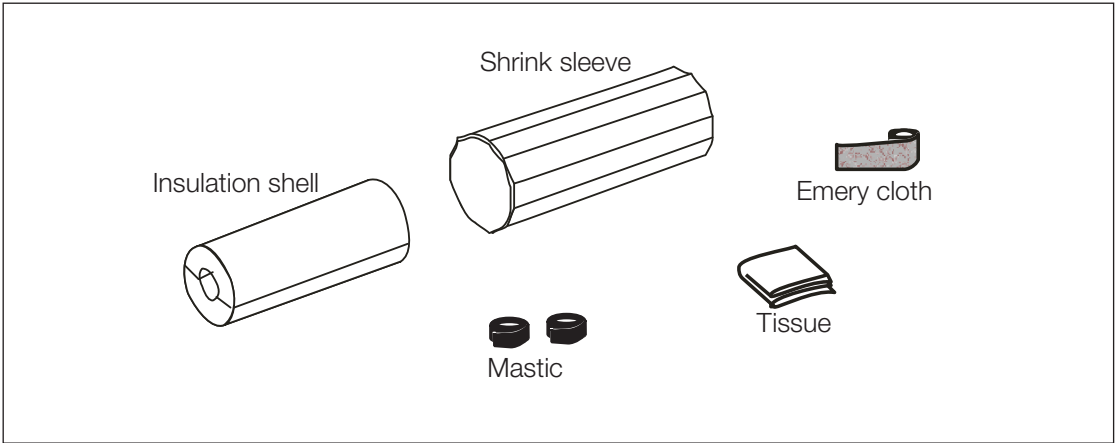
# LOGSTOR LM

## Installation Instructions - Industry



## Straight joint, single sealed

# Installation instructions 1/3



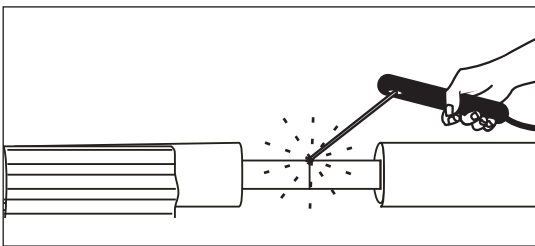
### Important:

Never apply heat to creases, if any, since the sleeve material will be discoloured and the surface will crack.

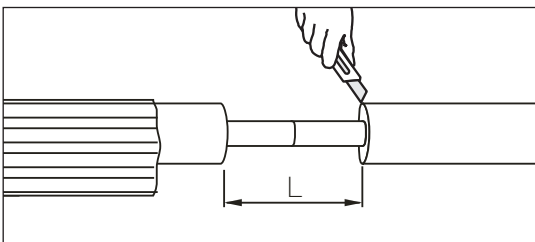
Never apply heat underneath the sleeve at the ends, since this may damage the sleeve permanently.

Pockets of air under the sleeve can be removed by bending a piece of welding wire into U-shape and pushing it underneath the sleeve while it is still warm.

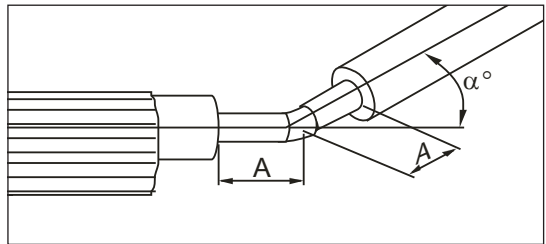
Use burner head  $\varnothing 51$  mm for sleeves up to  $\varnothing 200$  mm. For larger sleeves use burner head  $\varnothing 63$  mm.



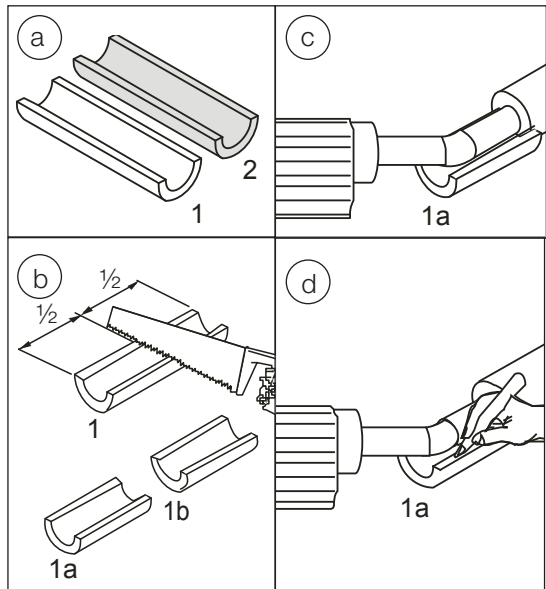
1. Place the shrink sleeve on the pipes. Weld the steel pipes. Pressure test.



2. Cut away expanded insulation from the pipe ends ( $L = \text{max. } 300 \text{ mm}$ ).



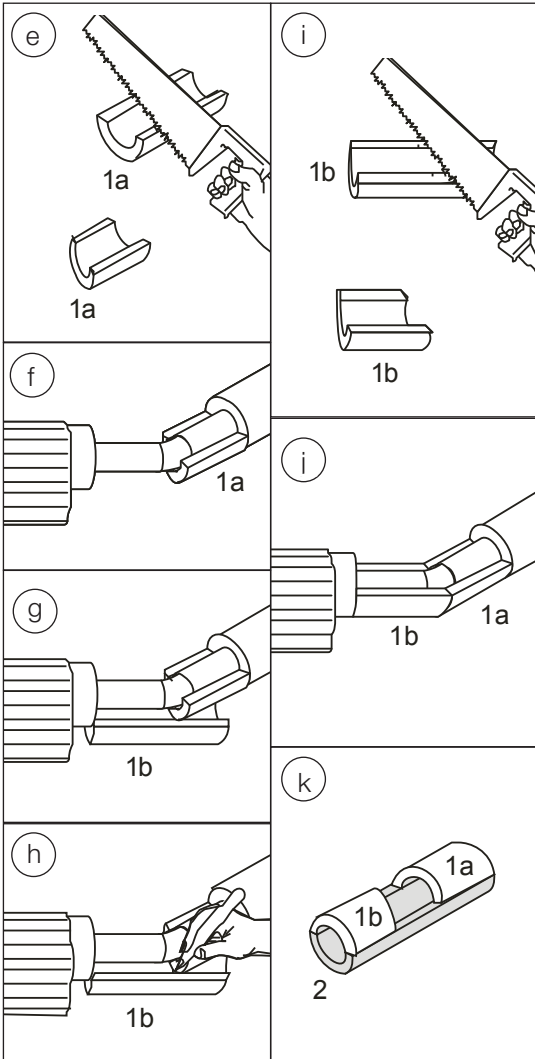
3. The shrink sleeve is applicable at angles of  $0^\circ$ - $15^\circ$  ( $\alpha^\circ$ ).  $A = \text{max. } 150 \text{ mm}$ .



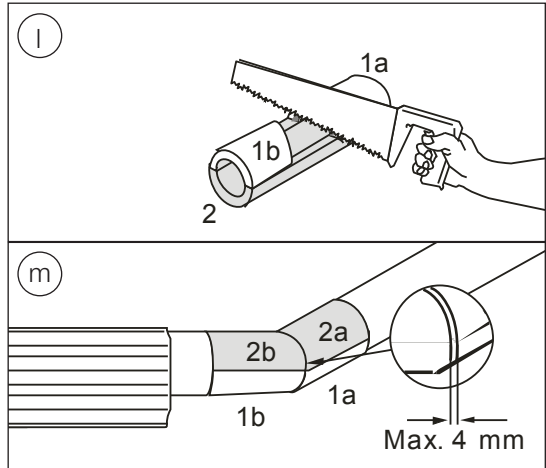
4. The following **only** applies to angle installation:

- Take the two insulation shells.
- Cut insulation shell 1 in half.
- Fit insulation shell 1a against the jacket end.
- Mark the centre of the bend on both sides of insulation shell 1a.

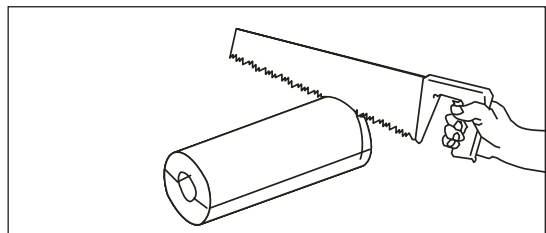
# Installation instructions 2/3



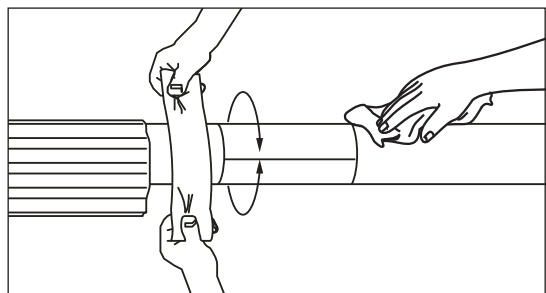
4. The following **only** applies to angle installation:
- e) Cut insulation shell 1a using the marks as a guide.
  - f) Place insulation shell 1a.
  - g) Fit insulation shell 1b against the jacket end.
  - h) Make a mark where 1a and 1b meet on both sides of insulation shell 1b.
  - i) Cut insulation shell 1b using the marks as a guide.
  - j) Fit insulation shell 1b between the jacket end and insulation shell 1a. Make sure that the insulation shells fit tightly between the jacket pipes.
  - k) Place insulation shells 1a and 1b on insulation shell 2.



4. The following **only** applies to angle installation:
- l) Cut insulation shell 2 using insulation shells 1a and 1b as a guide.
  - m) Place insulation shells 2a and 2b on 1a and 1b. The insulation shells must fit tightly between the jacket pipes. A gap between the insulation shells must be less than 4 mm. Remove possible sharp edges and burrs on the insulation shells with EMERY CLOTH. Continue from ill. 6.



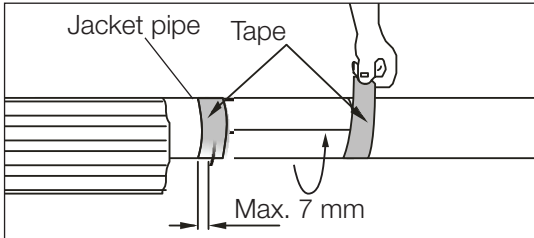
5. Shorten the insulation shells to make them fit tightly between the jacket pipes.



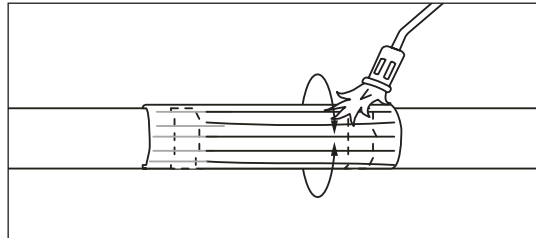
6. Clean the jacket with tissue. Activate the jacket pipes with EMERY CLOTH at least 80 mm from both jacket ends. Use EMERY CLOTH to remove sharp edges or burrs on the jacket pipes.

## Straight joint, single sealed

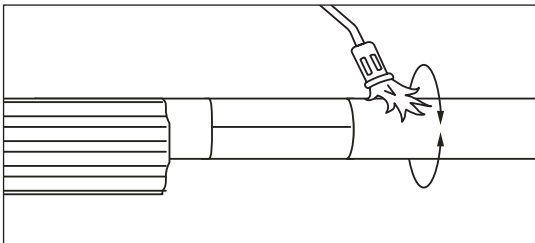
# Installation instructions



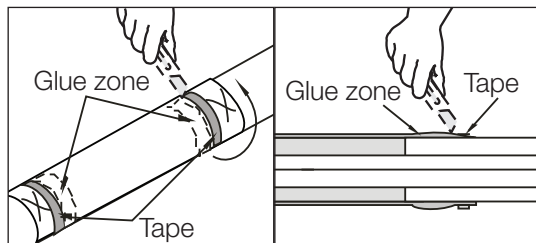
7. To cover gaps use linen tape or PVC free tape, overlapping the jacket by max. 7 mm.



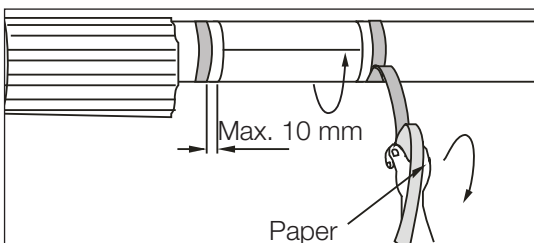
11. Supply extra heat to the glue zone to ensure correct adhesion.



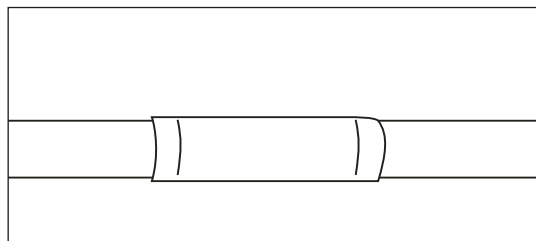
8. Activate the jacket pipes at least 150 mm from both sides of the pipe ends until the surface has a matt, silky look.



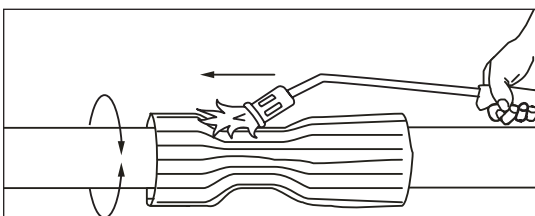
12. Wind the tape around the sleeve, where the glue zone is faintly marked. Use a very sharp knife to cut along the edge of the tape while the workpiece is still hand-warm.



9. Remove the paper from both mastic strips. Place the adhesive side face down on the jacket pipe and away from the insulation shells. Place the mastic strips max. 10 mm from the jacket pipe end.



13. The joint is now complete.



10. Remove the packing from the shrink sleeve. Make sure that it is CLEAN and DRY, inside and out. Centre the shrink sleeve over the joint. Now shrink from the centre towards one end and then from the centre towards the other end with regular circular motions.

---

# Contact details

---

## Denmark

LOGSTOR Denmark Holding ApS  
Danmarksvej 11 | DK-9670 Løgstør

T: +45 99 66 10 00  
E: [logstor@kingspan.com](mailto:logstor@kingspan.com)



For the product offering in other markets please contact your local sales representative or visit [www.logstor.com](http://www.logstor.com)

Care has been taken to ensure that the contents of this publication are accurate, but Kingspan Limited and its subsidiary companies do not accept responsibility for errors or for information that is found to be misleading. Suggestions for, or description of, the end use or application of products or methods of working are for information only and Kingspan Limited and its subsidiaries accept no liability in respect thereof.

To ensure you are viewing the most recent and accurate product information, please scan the QR code directly above.

